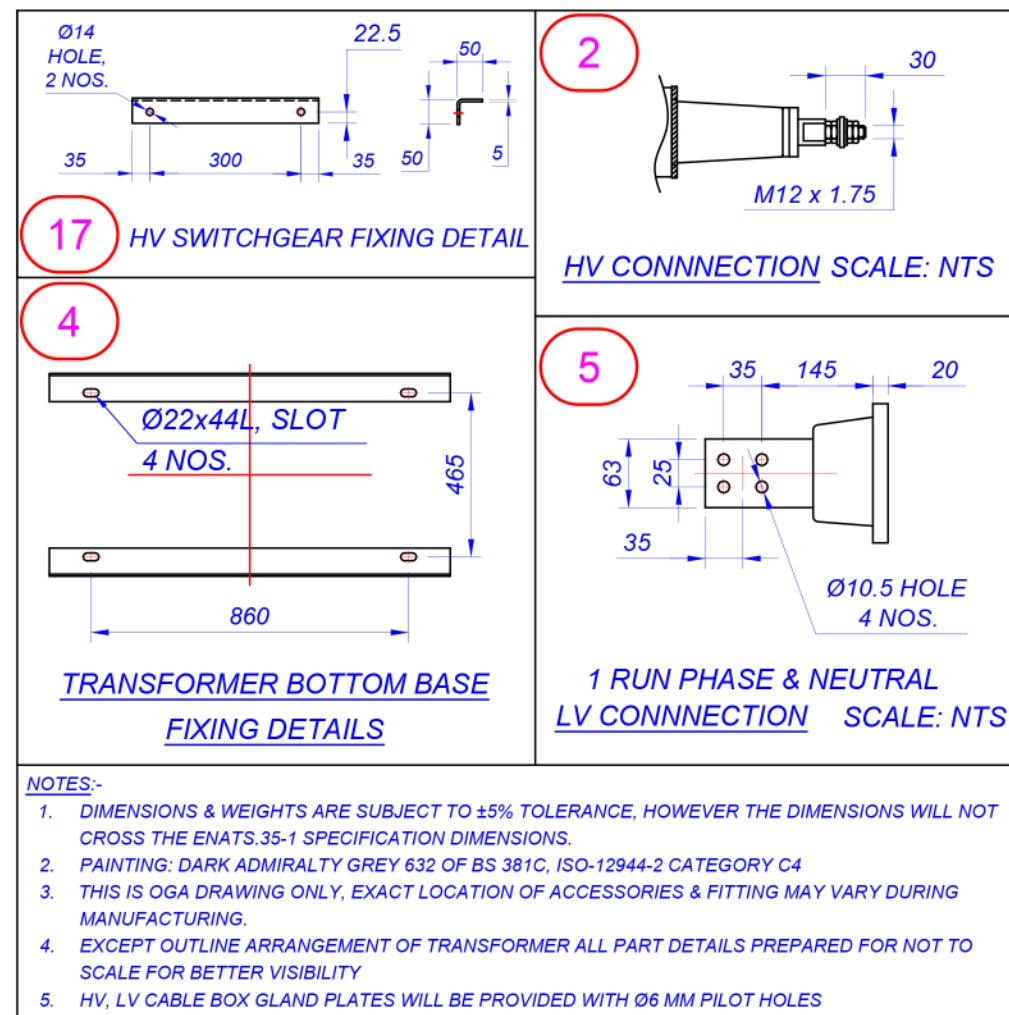
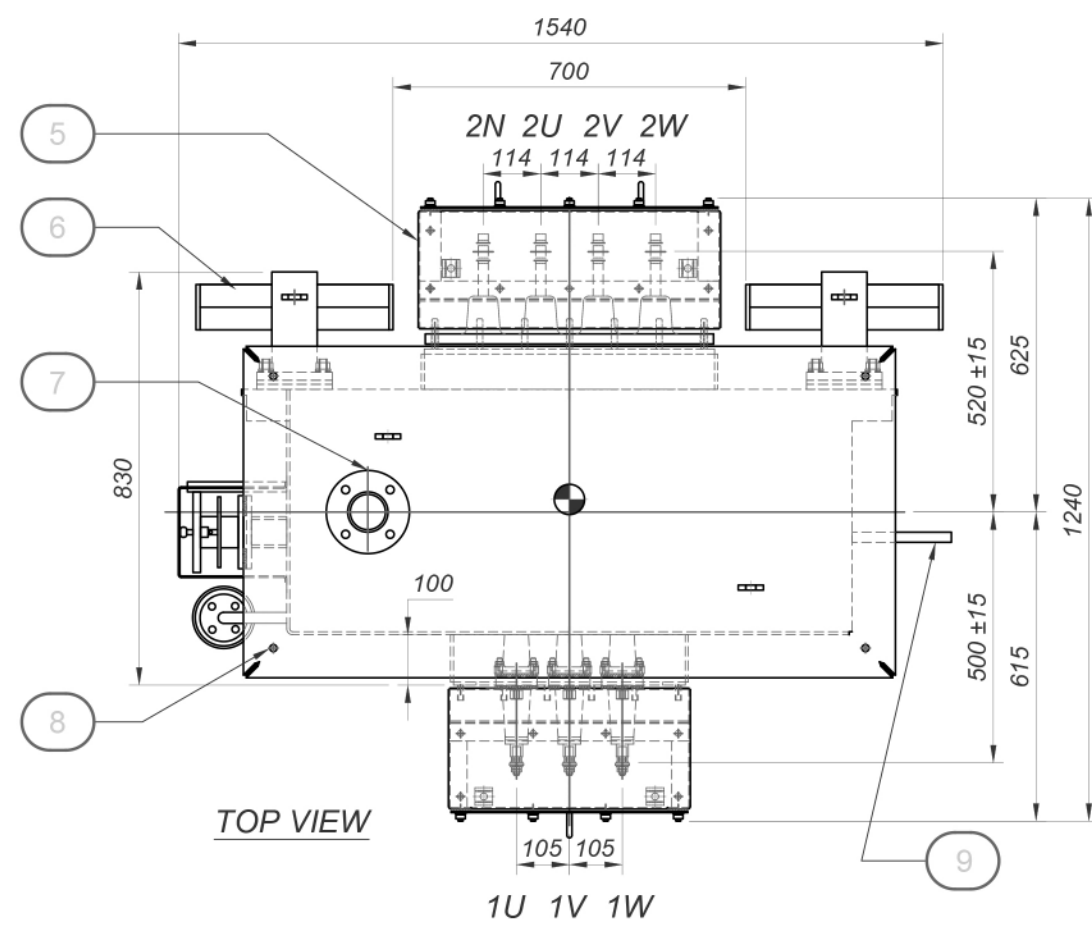


17	HV SWITCHGEAR FIXING DETAIL (50x50x5 THK. MS.ANGLE)
16	BREATHER FIXING PIPE WITH 3/4" BSP MALE CONNECTION (BREATHER WILL BE SUPPLY LOOSE)
15	PRISMATIC OIL LEVEL INDICATOR
14	EARTHING TERMINAL SUITABLE FOR M12 BOLT (ONE ON EACH SIDE) (SS-316)
13	JACKING PADS
12	RATING AND TERMINAL MARKING PLATE
11	OFF-CIRCUIT TAP SWITCH (MODEL: 12kV 100A, 6 POSITION) WITH ENCLOSED COVER
10	THERMOMETER POCKET SUITABLE FOR 3/4" BSP MALE CONNECTION
9	LIFTING LUGS FOR COMPLETE TRANSFORMER
8	BOLTED TYPE TOP COVER
7	LIQUID FILLING PIPE WITH COVER
6	PSR RADIATOR BOLTED TYPE (900X375X3 FINS)
5	LV CABLE BOX 4 POLE, 1 CONNECTION/PHASE WITH 1.1KV EPOXY MONOBLOCK BUSHING AS PER BS2562
4	SKID TYPE UNDER BASE ARRANGEMENT (Ø35)
3	DRAIN VALVE WITH PLUG & SAMPLER (MODEL : 25 mm, PN16)
2	HV CABLE BOX ASSEMBLY (3 POLE) WITH BS 2562 12kV, 250A PORCELAIN BUSHINGS (TERMINATION KIT REQUIRED)
1	LIFTING LUGS (ONLY FOR TOP COVER)
SL.No.	DESCRIPTION



BOWERS JOB No.	-
OUTPUT	315 kVA
VOLTAGE RATIO	11000 / 415
AMPERES	16.53 / 438.23
PHASES	3
FREQUENCY	50Hz
VECTOR SYMBOL	Dyn11

ESTIMATED WEIGHTS	KG
CORE AND WINDINGS	1050
COOLING LIQUID	445 LTRS
TOTAL WEIGHT	1950



This drawing is **COPYRIGHT** and the property of Bowers Electricals Ltd. It must not be copied (in whole or in part) without prior written consent of the company. ©

TOLERANCE UNLESS OTHERWISE STATED
 ± 0.5mm FOR DIMENSIONS UP TO 250mm;
 ± 1mm FOR DIMENSIONS UP TO 1000mm;
 ± 2mm FOR DIMENSIONS OVER 1000mm.

RevNo	Revision Note	Date	Signed	Checked

Bowers
 Electricals Ltd
 Heanor Gate Road, Heanor,
 Derbyshire, DE75 7GX
 Tel: 01773 531531 Fax: 01773 716 171
 Email: enquiries@bowerselec.co.uk

Drawn by SAMPLE	Checked by SAMPLE	Approved by SAMPLE	Job No. STOCK	Date 16/04/21	Size A2
GENERAL ARRANGEMENT OF 315kVA 11000/415V TIER 2 TRANSFORMER		DRG No. FOR INFO ONLY		Scale 1:15	Revision 1/1
FIRST ANGLE		Sheet 1/4			